

Technical data

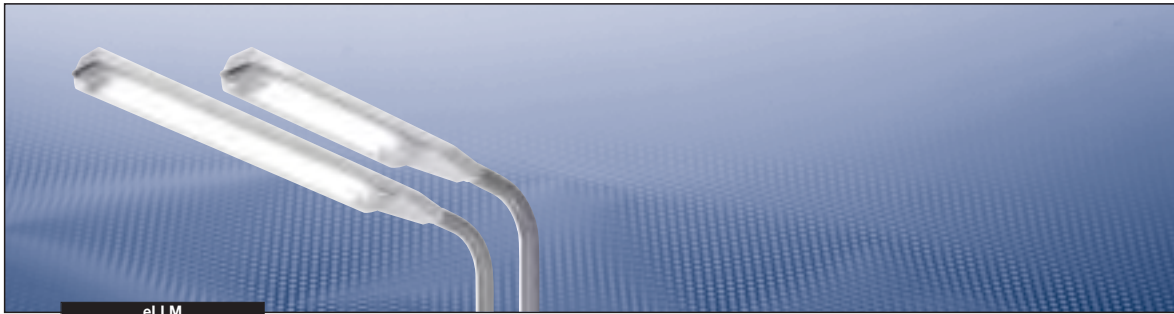
| eLLK 92018/18 eLLK 92036 / eLLK 92036/36 eLLK 92058 / eLLK 92058/58 | |
|---|--|
| Marking to 94/9/EC | ⊕ II 2 G Ex de IIC T4 / ⊕ II 2 G Ex de mb II T4 (CG-S variant) ⊕ II 2 D Ex tD A21 IP66 T80 °C |
| EC-Type Examination Certificate | BVS 09 ATEX E 034 |
| IECEX-Certificate of Conformity | IECEX BVS 09.0033 |
| Marking to IECEx | Ex de mb IIC T4 Ex tD A21 IP66 T 80 °C |
| Permissible ambient temperature | -25 °C to +55 °C (U _n ≥ 220 V) -25 °C to +50 °C (U _n < 220 V) ¹⁾ |
| Frequency | 50 - 60 Hz |
| Power factor cos φ | ≥ 0.95 |
| Circuit | EVG resp. EVG/CG-S |
| Connecting terminals | L1, L2, L3, L, N, PE; max. 2 x 6 mm ² per terminal |
| Insulation class | I |
| Lamp cap | G13 accd. to IEC 60081 |
| Degree of protection accd. EN 60529 | IP66 |
| Cable glands/gland plates/enclosure entry holes | Ex-e cable glands M25 x 1.5 (plastic) for cables from Ø 8 - 17 mm, Option: M20 x 1.5 metal thread |
| Enclosure material | Glass-fibre reinforced polyester |
| Protective cover/protective bowl | Polycarbonate |

| | eLLK 92018/18 | eLLK 92036 | eLLK 92036/36 |
|-----------------------------------|-------------------------------|---------------------|-------------------------------|
| Rated voltage | 110 - 254 V AC / | 110 - 254 V AC / | 110 - 254 V AC / |
| | 110 - 250 V DC | 110 - 250 V DC | 110 - 250 V DC |
| Rated voltage CG-S | 220 - 254 V AC / | 220 - 254 V AC / | 220 - 254 V AC / |
| | 195 - 250 V DC | 195 - 250 V DC | 195 - 250 V DC |
| Rated current | 0.18 A | 0.18 A | 0.34 A |
| | 0.19 A (CG-S variant) | | 0.35 A (CG-S variant) |
| Lamp/illuminant | 2 x T26 / 18 W (T8) | 1 x T26 / 36 W (T8) | 2 x T26 / 36 W (T8) |
| Rated luminous flux ²⁾ | 2700 lm | 3350 lm | 6700 lm |
| Light efficiency in operation | 78 % | 86 % | 78 % |
| Dimensions (L x W x H) | 760 x 188 x 130 mm | 1360 x 188 x 130 mm | 1360 x 188 x 130 mm |
| Weight | approx. 5.2 kg / | approx. 7.2 kg | approx. 7.4 kg / |
| | approx. 5.6 kg (CG-S variant) | | approx. 7.7 kg (CG-S variant) |

| | eLLK 92058 | eLLK 92058/58 |
|-----------------------------------|---------------------|--|
| Rated voltage | 220 - 254 V AC / | 220 - 254 V AC / |
| | 195 - 250 V DC | 195 - 250 V DC |
| Rated voltage CG-S | 220 - 254 V AC / | 220 - 254 V AC / |
| | 195 - 250 V DC | 195 - 250 V DC |
| Rated current | 0.27 A | 0.53 A / 0.54 A (CG-S variant) |
| Lamp/illuminant | 1 x T26 / 58 W (T8) | 2 x T26 / 58 W (T8) |
| Rated luminous flux ²⁾ | 5200 lm | 10400 lm |
| Light efficiency in operation | 83 % | 72 % |
| Dimensions (L x W x H) | 1660 x 188 x 130 mm | 1660 x 188 x 130 mm |
| Weight | approx. 8.2 kg | approx. 9.1 kg / approx. 9.6 kg (CG-S variant) |

¹⁾ eLLK 92058/58: max. +40 °C

²⁾ depends on used lamps



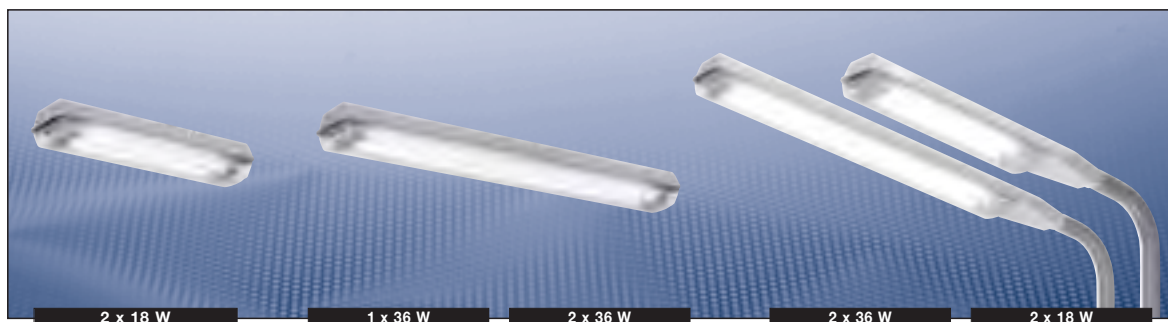
eLLM

Technical data

eLLM 92018/18 | eLLM 92036/36

| | |
|---|---|
| Marking to 94/9/EC | II 2 G Ex de IIC T4 II 2 D Ex tD A21 IP66 T80 °C |
| EC-Type Examination Certificate | BVS 09 ATEX E 034 |
| IECEX-Certificate of Conformity | IECEX BVS 09.0033 |
| Marking to IECEx | Ex de IIC T4 Ex tD A21 IP66 T80 °C |
| Permissible ambient temperature | -25 °C to +55 °C ($U_n \geq 220$ V) -25 °C to +50 °C ($U_n < 220$ V) |
| Rated voltage | 110 - 254 V AC / 110 - 250 V DC |
| Frequency | 50 - 60 Hz |
| Power factor $\cos \varphi$ | ≥ 0.95 |
| Circuit | EVG |
| Connecting terminals | L1, N, PE; max. 2 x 6 mm ² per terminal |
| Insulation class | I |
| Lamp cap | G13 accd. to IEC 60081 |
| Degree of protection accd. EN 60529 | IP66 |
| Cable glands/gland plates/enclosure entry holes | Ex-e cable glands M25 x 1.5 (plastic) for cables from $\varnothing 8 - 17$ mm |
| Enclosure material | Glass-fibre reinforced polyester |
| Protective cover/protective bowl | Polycarbonate |

| | eLLM 92018/18 | eLLM 92036/36 |
|-----------------------------------|---------------------------------|------------------------------|
| Rated voltage | 110 - 254 C AC / 110 - 250 V DC | |
| Rated current | 0.18 A | 0.34 A |
| Lamp/illuminant | 2 x T26 / 18 W (T8) | 2 x T26 / 36 W (T8) |
| Rated luminous flux ¹⁾ | 2700 lm | 6700 lm |
| Light efficiency in operation | 78 % | 78 % |
| Dimensions (L x W x H) | 1060 x 188 x 130 mm | 1660 x 188 x 130 mm |
| Pole socket | $\varnothing 44$ mm x 150 mm | $\varnothing 44$ mm x 150 mm |
| Weight | approx. 7.0 kg | approx. 9.5 kg |



Ordering details

| Type | Terminals | Through-wiring | | Cable glands ³⁾ | Plugs | Order No. |
|---|-----------|----------------|--------------|----------------------------|--------------|-----------------------|
| | | single-ended | double-ended | | | |
| eLLK 92018/18 (2 x 18 W) | | | | | | |
| 1/6-1 | 1 x 6 | x | – | 2 x M25 x 1.5 | 1 x blanking | 1 2265 875 101 |
| 2/6-2 | 2 x 6 | – | x | 2 x M25 x 1.5 | 2 x threaded | 1 2265 875 103 |
| 1/6-1 M ¹⁾ | 1 x 6 | x | – | 2 x M20 x 1.5 | 1 x threaded | 1 2265 875 109 |
| 2/6-2 M ¹⁾ | 2 x 6 | – | x | 4 x M20 x 1.5 | 2 x threaded | 1 2265 875 111 |
| eLLK 92018/18 (2 x 18 W) | | | | | | |
| Level gauge P2 | 1 x 6 | x | – | 2 x M25 x 1.5 | 1 x blanking | 1 2265 875 126 |
| eLLK 92018/18 CG-S²⁾ (2 x 18 W) | | | | | | |
| 2/6-2 | 2 x 6 | – | x | 2 x M25 x 1.5 | 2 x threaded | 1 2265 881 103 |
| 2/6-2M ¹⁾ | 2 x 6 | – | x | 4 x M20 x 1.5 | 2 x threaded | 1 2265 881 211 |
| eLLM 92018/18 (2 x 18 W) | | | | | | |
| 1/6-1 | 1 x 3 | – | – | 1 x M25 x 1.5 | | 1 2268 875 101 |
| eLLK 92036 (1 x 36 W) | | | | | | |
| 1/6-1 | 1 x 6 | x | – | 2 x M25 x 1.5 | 1 x blanking | 1 2263 875 101 |
| 2/6-2 | 2 x 6 | – | x | 2 x M25 x 1.5 | 2 x threaded | 1 2263 875 103 |
| 1/6-1 M | 1 x 6 | x | – | 2 x M20 x 1.5 | 1 x threaded | 1 2263 875 111 |
| eLLK 92036 (1 x 36 W) | | | | | | |
| Level gauge P3 1/6-1 | 1 x 6 | x | – | 2 x M25 x 1.5 | 1 x blanking | 1 2263 875 125 |
| eLLK 92036/36 (2 x 36 W) | | | | | | |
| 1/6-1 | 1 x 6 | x | – | 2 x M25 x 1.5 | 1 x blanking | 1 2266 875 101 |
| 2/6-2 | 2 x 6 | – | x | 2 x M25 x 1.5 | 2 x threaded | 1 2266 875 103 |
| 1/6-1 M ¹⁾ | 1 x 6 | x | – | 2 x M20 x 1.5 | 1 x threaded | 1 2266 875 109 |
| 2/6-2 M ¹⁾ | 2 x 6 | – | x | 4 x M20 x 1.5 | 2 x threaded | 1 2266 875 111 |
| eLLK 92036/36 CG-S²⁾ (2 x 36 W) | | | | | | |
| 2/6-2 | 2 x 6 | – | x | 2 x M25 x 1.5 | 2 x threaded | 1 2266 881 103 |
| 2/6-2M ¹⁾ | 2 x 6 | – | x | 4 x M20 x 1.5 | 2 x threaded | 1 2266 881 211 |
| eLLM 92036/36 (2 x 36 W) | | | | | | |
| 1/6-1 | 1 x 3 | – | – | 1 x M25 x 1.5 | | 1 2269 875 101 |
| eLLK 92058 (1 x 58 W) | | | | | | |
| 1/6-1 | 1 x 6 | x | – | 2 x M25 x 1.5 | 1 x blanking | 1 2264 875 101 |
| 2/6-2 | 2 x 6 | – | x | 2 x M25 x 1.5 | 2 x threaded | 1 2264 875 103 |
| 2/6-2 M ¹⁾ | 2 x 6 | – | x | 4 x M20 x 1.5 | 2 x threaded | 1 2264 875 111 |
| eLLK 92058/58 (2 x 58 W) | | | | | | |
| 1/6-1 | 1 x 6 | x | – | 2 x M25 x 1.5 | 1 x blanking | 1 2267 875 101 |
| 2/6-2 | 2 x 6 | – | x | 2 x M25 x 1.5 | 2 x threaded | 1 2267 875 103 |
| 2/6-2 M ¹⁾ | 2 x 6 | – | x | 4 x M20 x 1.5 | 2 x threaded | 1 2267 875 111 |
| eLLK 92058/58 CG-S²⁾ (2 x 58 W) | | | | | | |
| 2/6-2 | 2 x 6 | – | x | 2 x M25 x 1.5 | 2 x threaded | 1 2267 881 103 |
| 2/6-2 M ¹⁾ | 2 x 6 | – | x | 4 x M20 x 1.5 | 2 x threaded | 1 2267 881 211 |

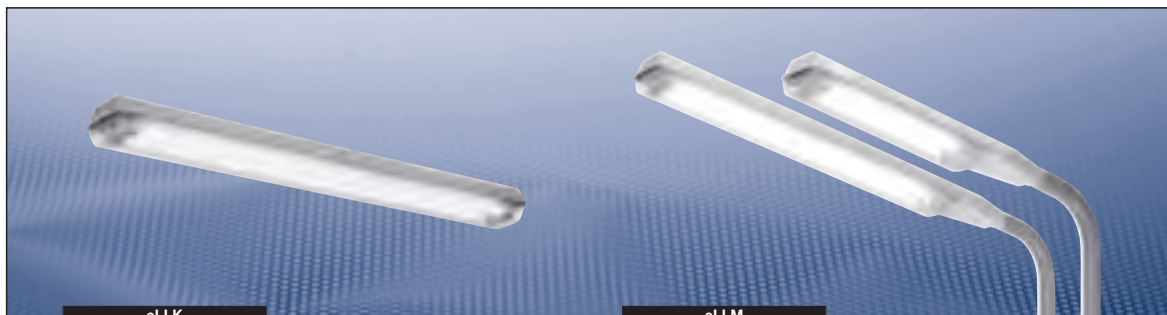
¹⁾ M: with metal thread, without cable gland

²⁾ CG-S: design single monitored emergency light fitting for use in CEAG emergency light supply unit

³⁾ With dustcover if entry/thread is not closed

Scope of delivery without lamp and fixing accessories.

| eLLK 92... (18-58 W) | eLLM 92.../.. (18 + 36 W) |



Accessories

Lamp for luminaire eLLK92/eLLM92

| Type of lamp socket/ diameter | Power | Luminous flux light colour | Order No. |
|---|--------------|--------------------------------|--|
| Bi-pin socket G13 T26/Ø 26 mm (T8) G13-60081-IEC-2220-1 | 18 W | 1350 lm white | 3 2475 900 001 |
| Bi-pin socket G13 T26/Ø 26 mm (T8) G13-60081-IEC-2420-1 | 36 W | 3350 lm white | 3 2475 900 002 |
| Bi-pin socket G13 T26/Ø 26 mm (T8) G13-60081-IEC-2520-1 | 58 W | 5200 lm white | 3 2475 900 003 |
| Aura-Ultimate T26/Ø 26 mm (T8) Longlife | 18 W 36 W | 1300 lm white 3350 lm white | 3 2475 900 087 3 2475 900 088 |
| G13-socket | 58 W | 5200 lm white | on request |
| Aura Super Ex T-HS 26/Ø 26 mm ¹⁾ | 18 W 36 W | 1150 lm white 3000 lm white | 3 2475 900 084 3 2475 900 085 |
| Single pin cap Fa6 | 58 W | 4800 lm white | on request |

Series eLLK 92... and eLLM 92...

| Type | Order No. |
|---------------------|-----------------------|
| Hexagon screw SW 13 | 3 2485 000 005 |

Series eLLM 92018/18 and eLLM 92036/36

| Type | Order No. |
|---|-----------------------|
| Single sided through wiring 2/6 with 2 entries M25, incl. terminals and mounting material | 2 2218 602 000 |

Fixing materials eLLK 92

| Type/code | Corrosion protection | Qty. per light fitting | Order No. |
|---|----------------------|------------------------|-----------------------|
| Eye bolt A2 | galvanized | 2 | 2 2480 002 000 |
| Hexagon screw S4 | stainless steel | 2 | 2 2480 054 000 |
| Ceiling mounting bracket D92 incl. screws and washer | stainless steel | 2 | 2 2480 092 000 |

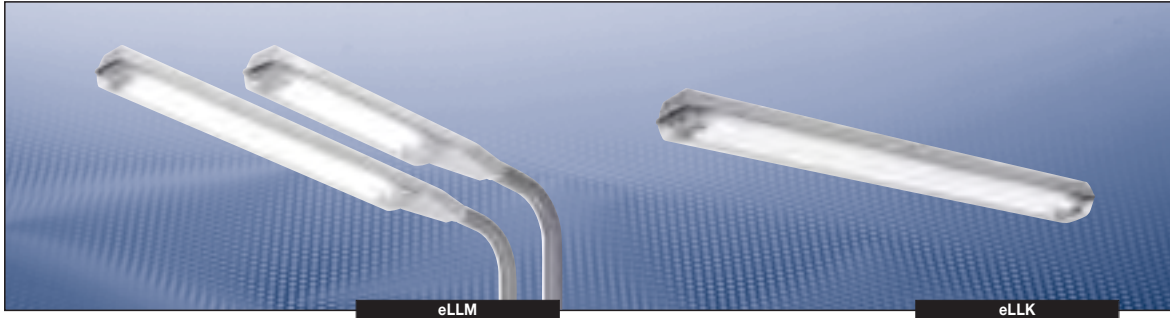
Fixing materials

| Type/code | Corrosion protection | for pipes DIN | Outer Ø D (mm) | Qty. per light fitting | Order No. |
|--|----------------------|------------------|-------------------|------------------------|-----------------------|
| Pipe clamp | | | | | |
| R12 | hot galvanized | 1 1/4" | 38 - 42 | 2 | 2 2480 462 000 |
| R14 | CrNi | 1 1/4" | 38 - 42 | 2 | 2 2480 464 000 |
| R22 | hot galvanized | 1 1/2" | 47 - 51 | 2 | 2 2480 472 000 |
| R24 | CrNi | 1 1/2" | 47 - 51 | 2 | 2 2480 474 000 |
| R32 | hot galvanized | 2" | 56 - 60 | 2 | 2 2480 482 000 |
| R34 | CrNi | 2" | 56 - 60 | 2 | 2 2480 484 000 |
| Wall bracket W27 | hot galvanized | | 42,4 | 1 | 2 2483 027 000 |
| Luminaire wall suspension 30° incl. screws and washer | hot galvanized | | | 2 | 2 2480 000 122 |

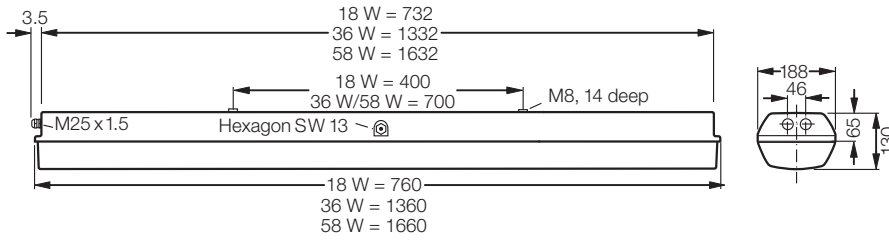
¹⁾ For luminaires eLLK 923.../.. and eLLM 923.../.. with single pin caps Fa6

Metal cable glands M20/M25 see page 8.10.

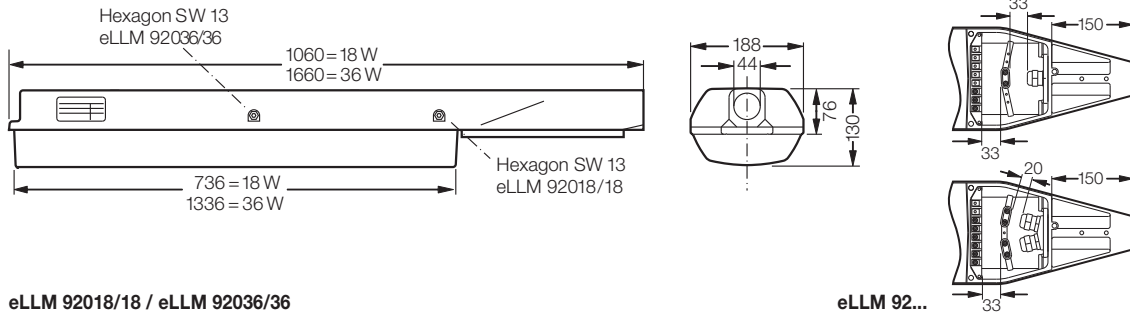
Complete Mounting Systems see page 2.70 to 2.76.



Dimension drawing | Polar curve | Accessories



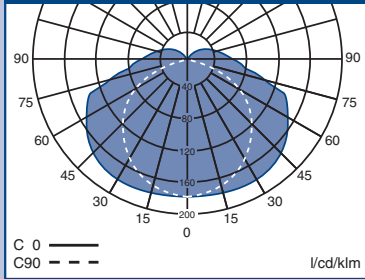
eLLK 92018/18 / eLLK 92036 / eLLK 92036/36 / eLLK 92058 / eLLK 92058/58



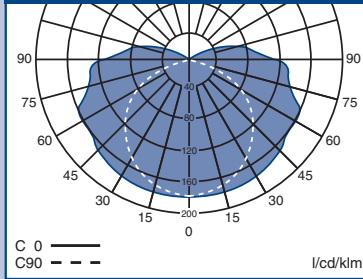
eLLM 92018/18 / eLLM 92036/36

eLLM 92...

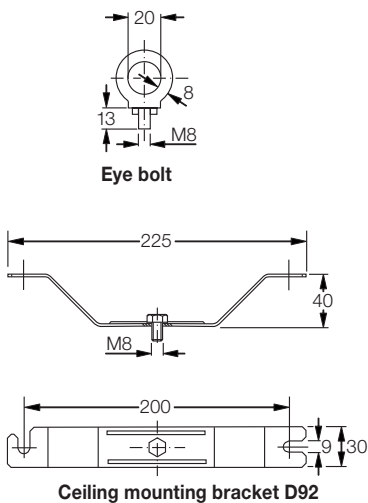
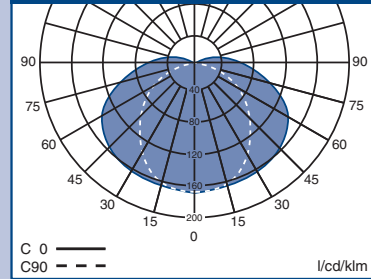
Polar curve
eLLK 92018/18 / eLLK 92036/36



Polar curve
eLLK 92036 / eLLK 92058

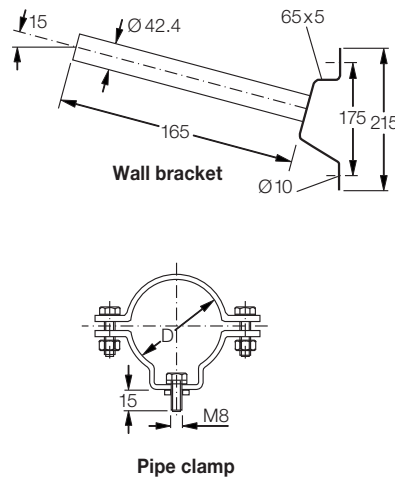


Polar curve
eLLK 92058/58



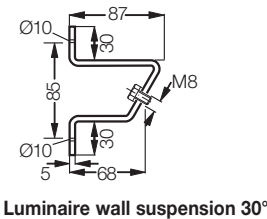
Eye bolt

Ceiling mounting bracket D92



Wall bracket

Pipe clamp



Luminaire wall suspension 30°

Dimensions in mm