

Safety Luminaire

Atlantic LED CG-S / Outdoor Wall CG-S



- LED safety luminaire with high protection class (IP65) for indoor and outdoor use
- Luminaire with limited surface temperatures for use in operating areas with fire hazard
- Suitable for use in food processing industry acc. IFS (Type R and O)
- Robust construction from aluminium diecast and high impact resistant cover made of polycarbonate
- Numerous knock-outs for cable entries and double terminal for through-wiring (outdoor wall only one cable entry)
- High spacing by double optics technology and highly efficient HighPower LEDs
- Up to 29 m from luminaire to luminaire with optics for escape route illumination
- Up to 13 m from luminaire to luminaire with optics for wide area illumination
- Minimum service requirement due to high service life of the LEDs (50,000 hours)
- Shortened inspection effort due to CEWA GUARD technology
- Automatic function monitoring of up to 20 luminaires per circuit
- Reduced installation expenditures by STAR technology
- Freely programmable mixed operation of the switching modes per luminaire in one circuit



Atlantic LED R CG-S



Atlantic LED O CG-S



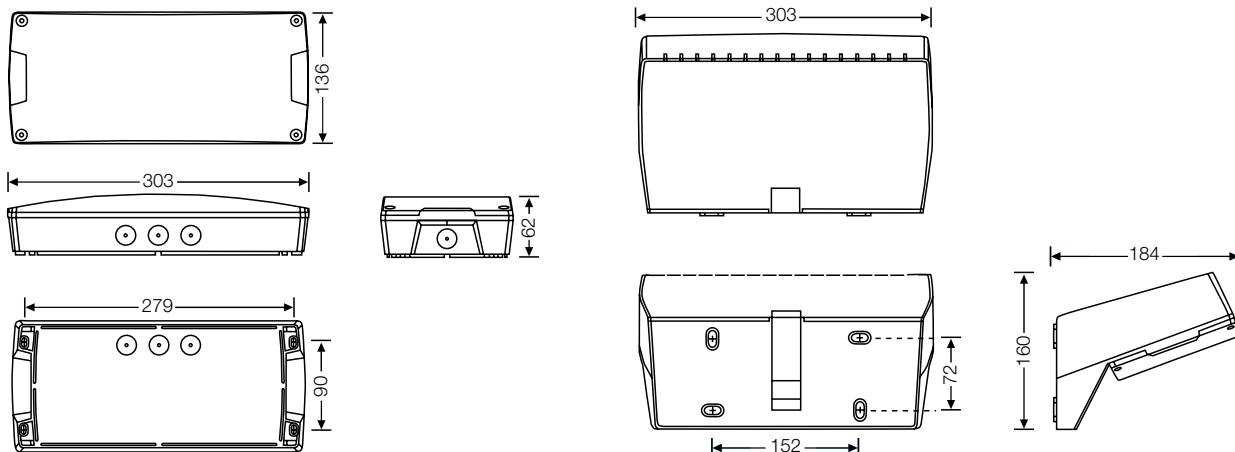
Outdoor Wall CG-S

Luminous flux	Atlantic LED R, Outdoor Wall 225 lm Atlantic LED O 220 lm
Luminous flux Φ_E/Φ_N at the end of rated operating time	100 %
Housing material	Aluminium diecast, Polycarbonate (850 °C glow wire resistant)
Enclosure colour	Grey
Weight	Atlantic LED 1.4 kg Outdoor Wall 2.8 kg
Type of mounting	Wall- and ceiling mounting
Connection terminals	3 x 2.5 mm ²
Connection voltage	220 - 240 V, 50/60 Hz 176 - 275 V DC
Current consumption with battery operating	21.5 mA
Power consumption mains operation (apparent power / effective power)	8.5 VA / 5.0 W
Permissible temperature range	-20 °C up to +40 °C
Light source	HighPower LEDs 2 x 1.5 W

Ordering details

Scope of supply	Order No.
Safety luminaire Atlantic LED R CG-S, with asymmetric optics for escape route illumination, incl. LED supply and CG-S technology (20 addresses)	120-052-026
Safety luminaire Atlantic LED O CG-S, with symmetric optics for anti-panic / open area illumination, incl. LED supply and CG-S technology (20 addresses)	120-052-028
Safety luminaire Outdoor Wall CG-S, with asymmetric optics for escape route illumination, incl. LED supply and CG-S technology (20 addresses)	120-052-524

Dimensions in mm

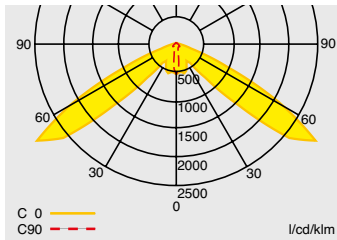


Safety Luminaire

Atlantic LED CG-S / Outdoor Wall CG-S

Engineering help for Atlantic LED R – Asymmetric optics = 1.0 lx (0.5 lx)

Measuring level: 0.02 m, maintenance factor MF = 80 %, battery operation

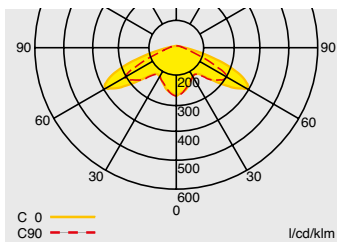


Atlantic R CG-S
with asymmetric optics

Mounting height (m)	Type of mounting	L1 [m]	L2 [m]	L3 [m]	L4 [m]
2.5	Ceiling mounting	6.0 (6.5)	13.0 (14.2)	2.0 (3.1)	6.1 (7.4)
3.0	Escape route centre	6.8 (7.5)	15.0 (16.2)	1.7 (3.2)	6.4 (8.0)
3.5		7.6 (8.4)	16.8 (18.3)	1.5 (2.8)	5.6 (8.5)
4.0		8.3 (9.3)	18.5 (20.3)	1.4 (2.5)	4.9 (8.9)
4.5		9.0 (10.0)	20.0 (22.2)	1.3 (2.2)	4.3 (9.1)
5.0		9.7 (10.8)	21.5 (24.0)	1.3 (2.0)	3.8 (7.8)
5.5		10.3 (11.5)	23.0 (25.6)	1.3 (1.9)	3.6 (7.1)
6.0		10.8 (12.2)	24.4 (27.2)	1.3 (1.8)	3.3 (6.6)
6.5		3.6 (12.9)	25.8 (28.7)	1.2 (1.8)	3.3 (6.0)
7.0		3.5 (13.6)	27.1 (30.2)	1.2 (1.8)	3.3 (5.5)
7.5		3.4 (14.2)	28.3 (31.7)	1.2 (1.9)	3.2 (5.1)
8.0		3.3 (14.8)	29.5 (33.1)	1.1 (1.8)	3.1 (4.9)
8.5		3.1 (15.3)	30.6 (34.6)	1.0 (1.8)	3.0 (4.6)

Engineering help for Atlantic LED O – Symmetric optics = 1.0 lx (0.5 lx)

Measuring level: 0.02 m, maintenance factor MF = 80 %, battery operation

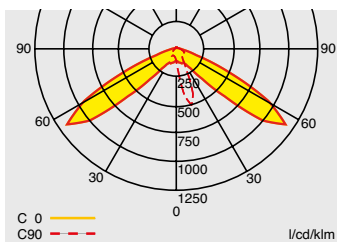


Atlantic O CG-S
with symmetric optics

Mounting height (m)	Type of mounting	L1 [m]	L2 [m]	L3 [m]	L4 [m]
2.5	Ceiling mounting	4.2 (4.9)	9.8 (11.3)	3.8 (4.4)	8.8 (10.0)
3.0	Escape route centre	4.6 (5.5)	10.9 (12.5)	4.1 (4.9)	9.9 (11.3)
3.5		4.7 (5.9)	11.8 (13.8)	4.1 (5.4)	10.7 (12.3)
4.0		4.3 (6.3)	12.5 (14.9)	3.7 (5.8)	11.5 (13.4)
4.5		1.9 (6.6)	13.1 (15.9)	2.0 (5.8)	11.5 (14.3)
5.0		1.5 (6.6)	13.1 (16.8)	1.4 (5.7)	11.3 (15.2)
2.5	Ceiling mounting	3.4 (4.5)	8.2 (9.0)	3.5 (4.4)	8.2 (9.6)
3.0	Open area illumination	4.5 (5.5)	9.0 (10.0)	3.4 (4.4)	9.2 (11.0)
3.5		4.5 (5.5)	9.8 (11.4)	3.4 (4.4)	10.0 (11.6)
4.0		4.5 (5.5)	10.6 (12.6)	3.4 (4.4)	10.6 (12.4)
4.5		2.5 (5.5)	11.2 (13.4)	1.4 (5.4)	11.4 (13.4)
5.0		1.4 (5.5)	12.4 (14.2)	1.5 (5.4)	11.4 (14.2)

Engineering help for Outdoor Wall – Asymmetric optics = 1.0 lx (0.5 lx)

Measuring level: 0.02 m, maintenance factor MF = 80 %, battery operation



Outdoor Wall CG-S
with asymmetric optics

Mounting height (m)	Type of mounting	L1 [m]	L2 [m]	L1 [m]	
2.0	Wall mounting	4.5	11.4	0 - 2.0	D
2.5		5.3	12.2	0 - 2.1	
3.0		5.8	13.8	0 - 2.1	
3.5		6.6	15.3	0 - 2.2	
4.0		7.0	16.7	0 - 2.3	
4.5		7.6	18.1	0 - 2.2	
5.0		8.3	19.2	0 - 2.1	
5.5		8.6	18.9	0.7 - 2.0	
6.0		8.8	9.9	1.0 - 1.9	