

APPLICATION

The luminaire is designed to light the industrial areas and facilities, also outdoor spaces with an explosion hazard of gases, vapors and flammable fogs mixed with air.

Hazardous zones: 1,2.

The luminaire is also destined to be used in **mine industry**.

CONSTRUCTION

Housing: aluminium powder painted casting
for o403.24/20 cast iron

Diffuser: borosilicate glass protected with steel gird

TEHNICAL DATA

Certificate:	CESI 08 ATEX 017X
Marking:	CE 0722
Apparatus category:	II 2G, I M2
Marking of explosion protection:	Ex Ex ed I/II C T2/T3
Environment temperature:	-30°C ≤ T _a ≤ +40°C -30°C ≤ T _a ≤ +60°C
Degree of protection:	IP 54 in accordance with EN 60529+A1, category 1
Resistance to shock:	IK 08 in accordance with EN 50102
Insulation class :	I (protective earthing) in accordance with EN 61140
Rated voltage:	250V ±10% AC 24V ±10% AC/DC
Frequency:	50Hz (60Hz on request)
Rated power:	See selection table
Lamps:	Incandescent lamps, E 27 lampholder, for 25W, 40W, 60W, 100W Halogen lamps, E 27 lampholder, for 100W
Conecting terminals:	terminals L1 + N for 2 x 4 mm ² flexible/solid terminals PE for 2 x 4 mm ² flexible/solid tightening torque for screw clamp 2,2 Nm
Cable entry:	1 x M25x1.5 cable gland (through-wiring possible) 1 x M25x1.5 plug
Cover fixing:	M 6, Hexagonal screw; without switch

MOUNTING

Two brackets with two screws M6.



CESI 06 ATEX 017X

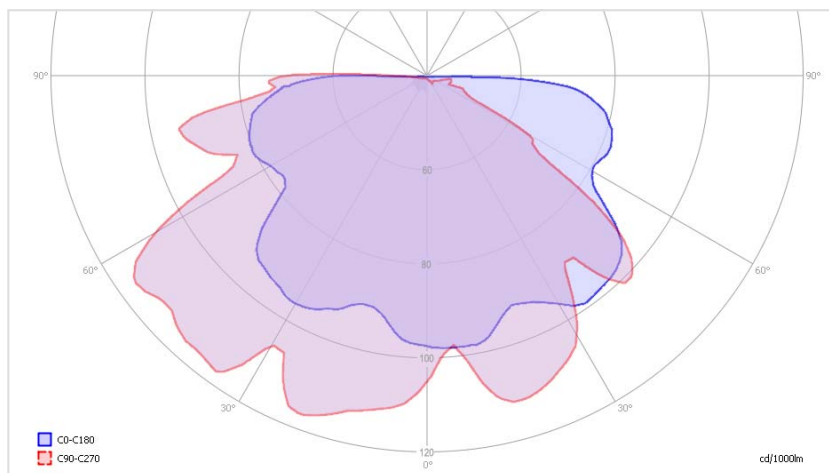
CE 0722



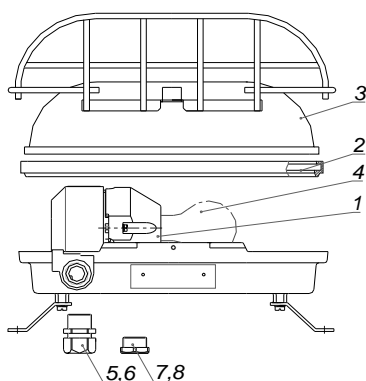
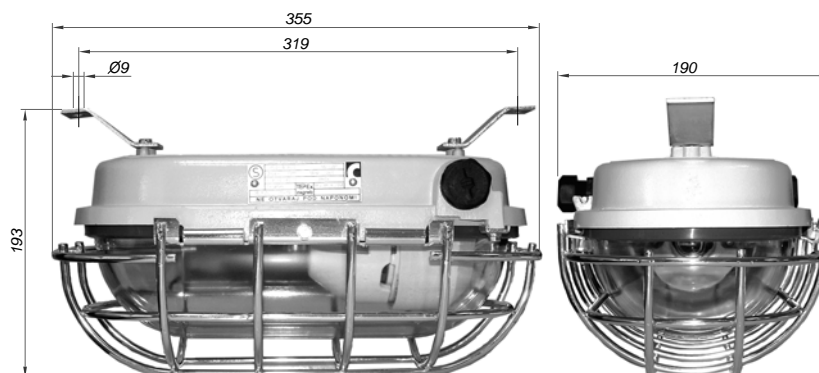
MODEL CODE

MODEL CODE	APPARATUS CATEGORY	EXPLOSION PROTECTION	RATED VOLTAGE	LAMPS (E27)	LUMINUS FLUX [lm]	WEIGHT
0403.24/10	II 2G	Ex ed IIC T2,T3	24 V DC 230 V AC	100W max. EN60064 60W max. DIN 49810 BI.4	1500 800	3,8 kg
0403.24/11,12 (red or green glass)	II 2G	Ex ed IIC T3	230 V AC	60W max. DIN 49810 BI.4 40W max. DIN 49810 BI.4	800 450	3,8 kg
0403.24/20	I M2	Ex ed I	230 V AC	100W max. EN60064	1500	6,0 kg

POLAR CURVE



Rated luminous flux: 1160lm (100W), 580lm (60W)
Efficiency in operation: approx. 60%

DIMENSION DRAWING
(all dimensions in mm)

Spare parts 0403.24 :

1. Lampholder E27
2. Gasket 0403.24
3. Protective glass 0403.24

Accessories 0403.24 :

4. Lightbulb 100W, 60W, 40W / 230V, 110V, 24V – IEC 60064
Lightbulb 60W, 40W / 230V – DIN 49810 BI.4
5. II 2G Exe II cable gland M25 with gasket, type SPU25
6. I M2 Exe I trumpet-shaped cable gland, set
7. II 2G Exe II plug M25 with gasket, type SPC25
8. I M2 Exe I plug M25, set